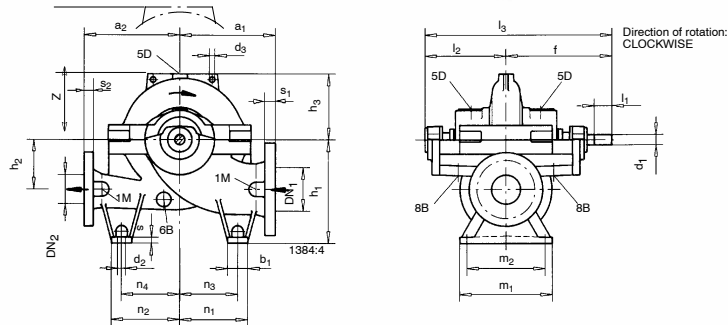
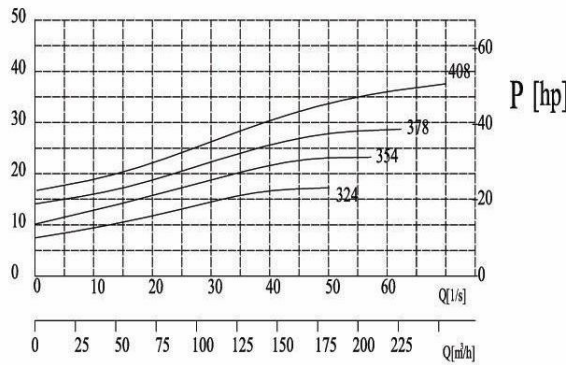
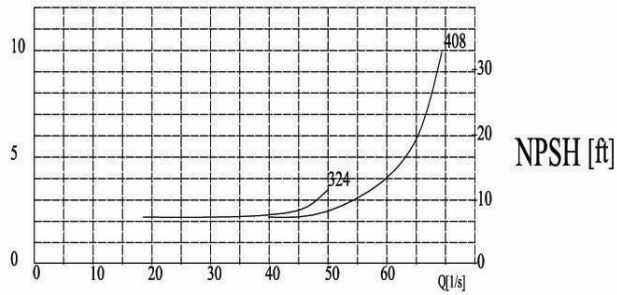
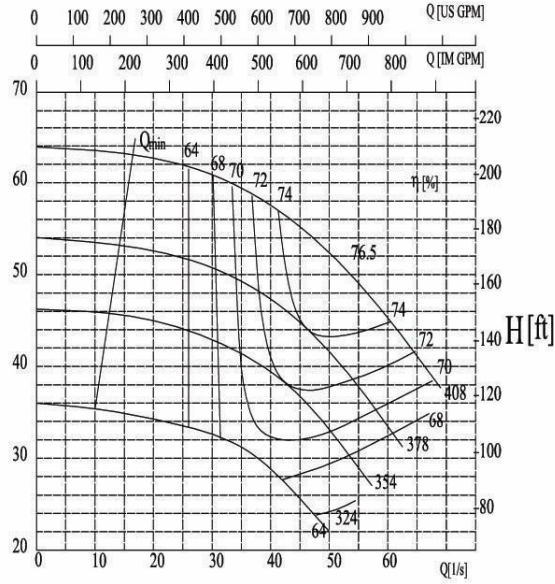


Pump Model CPS 150-100-375

Speed 1450rpm



Pump Size	FLANGE DIMENSIONS				PUMP DIMENSIONS										
	DN1	DN2	s1	s2	a1	a2	d3	f	h1	h2	h3	l2	l3	z	
CPS 150-100-375	150	100	37	32	370	370	19	415	355	170	260	300	715	520	
	FOOT DIMENSIONS					SHAFT					PUMP WEIGHT				
	b1	d2	m1	m2	n1	n2	n3	n4	s	d1	L1	(kg)			
	70	18	320	270	235	235	200	200	20	35	80	245			